



Shadowspec

RETREATTM

The Wall Mounted Umbrella

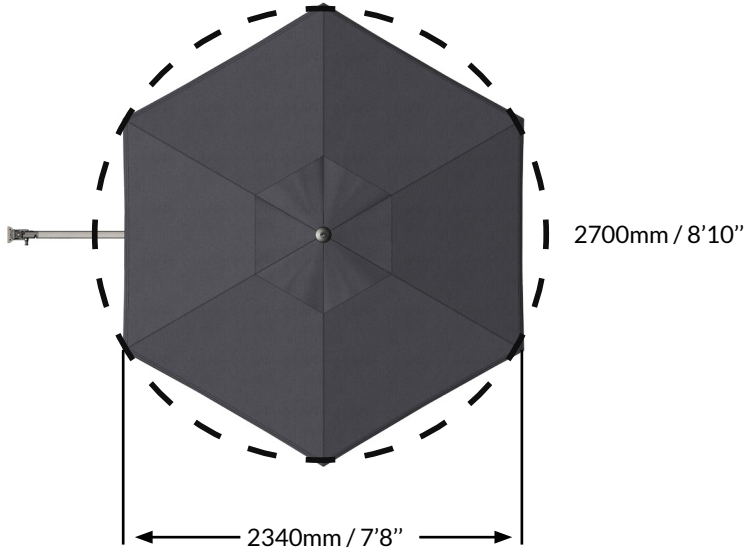
INSTALLATION GUIDE

Operation, Care and Warranty

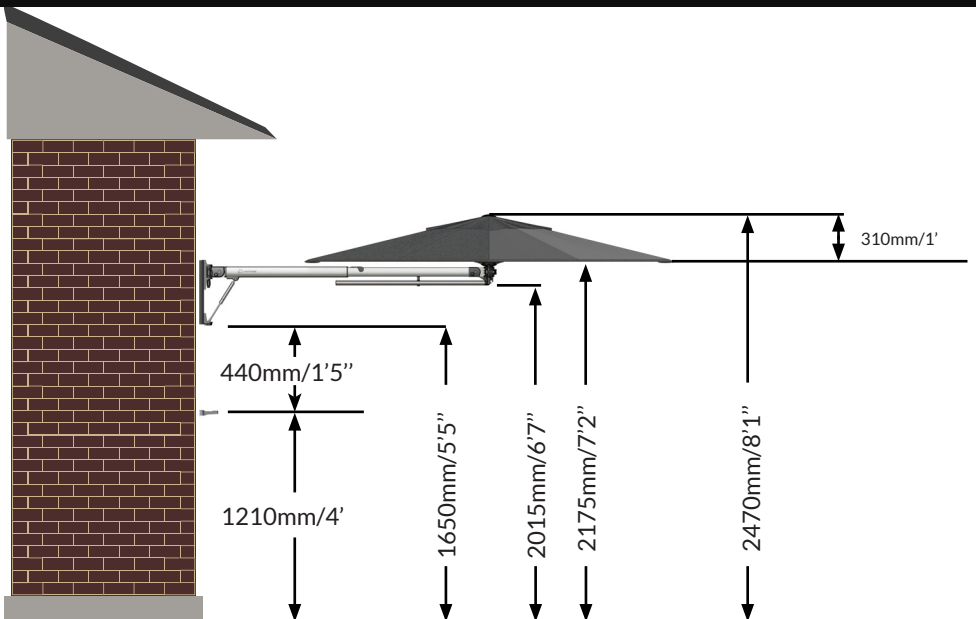
www.shadowspec.com

P02/23

Shadowspec Retreat™ Dimensions



Recommended Installation Height





Read your manual in full before assembling your umbrella. To extend the life of your umbrella investment please read and follow the care instructions on a regular basis.

This document contains the information you need to install your Shadowspec Retreat™

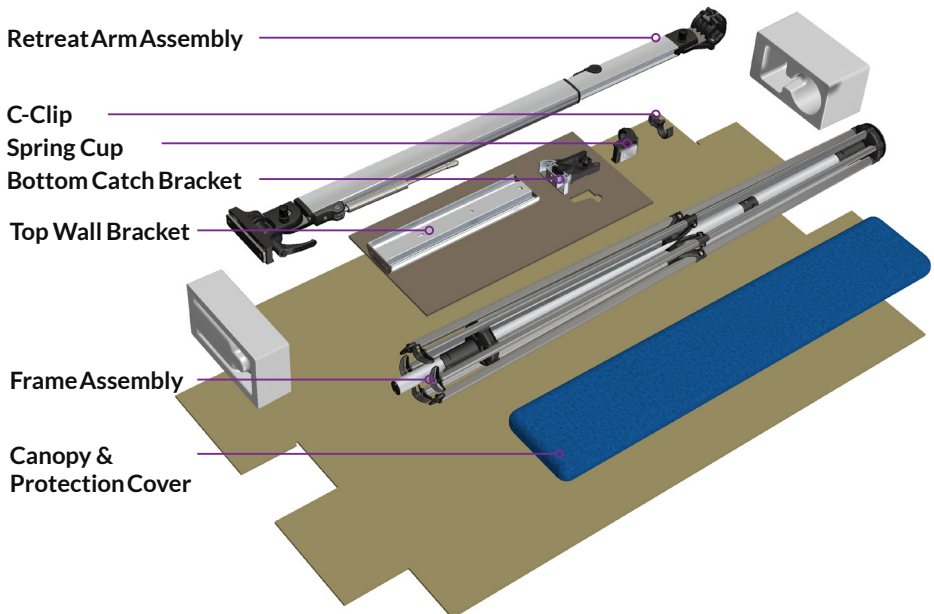
You'll also need to purchase appropriate fasteners as we do not supply these.

You'll need tools such as; A set square, tape measure, screwdriver, eye protection, ratchet, spirit level, electric drill.

Thank you for your purchase, we appreciate it.

Enjoy the shade, courtesy of Shadowspec.

What's in the Box?



Shadowspec Retreat™ Wall Mount Bracket Installation

1. Install the Top Wall Bracket

- i: Choose a wall, pillar or post that is strong enough to mount the Retreat
- ii: If you are affixing to a wooden wall - Locate studs behind the wall for adequate strength.
- iii: Using the Top Wall Bracket as a guide, mark holes on your wall at the desired height. Use a spirit level to ensure your Wall Bracket is level. [Fig. A](#).

We recommend 2175mm/7'2" measured from the top of the Top Wall Bracket to the Ground

- iv. Affix the Top Wall Bracket to the structure using the correct fastener option. [Fig. C](#).
- v. Affix the Bottom Catch to the structure using the correct fastener option. [Fig. B](#).

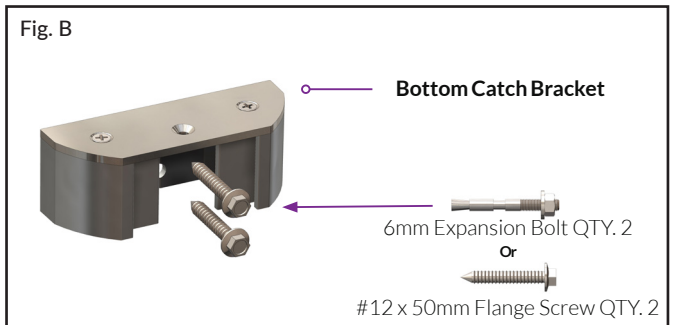
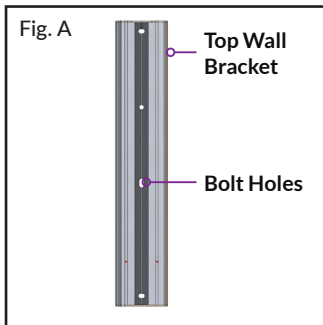


Fig. C (Not included)

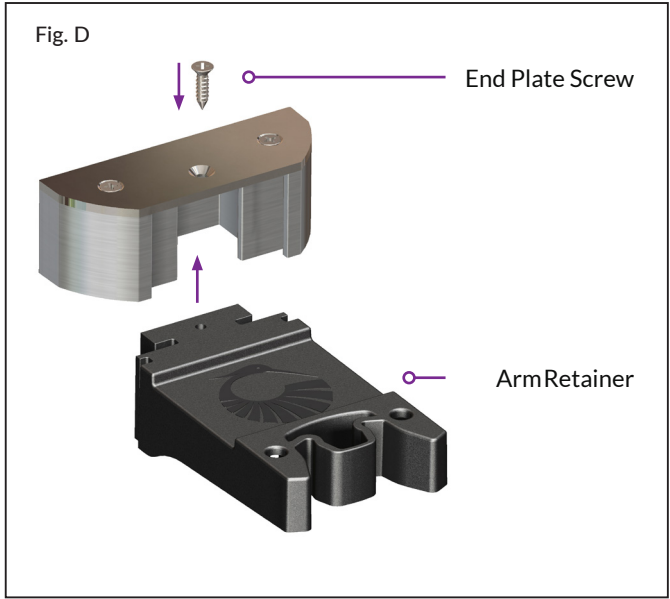
Wood	#14/18 x 75mm Hex Flange Screw Qty. 3	
Concrete	8mm Expansion Bolt Qty. 3	
Post	#14/18 x 75mm Hex Flange Screw Qty. 3	

Important: Fasteners for the Shadowspec Retreat are not supplied. You will need to purchase separately. You will need five total as displayed below, three for the Top Wall Bracket and two for the Bottom Catch Bracket



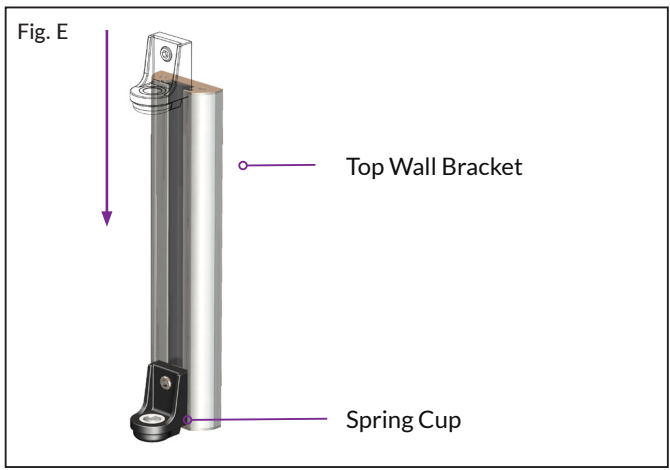
2. Mounting the Bottom Catch

Insert the Arm Retainer to the Bottom Catch Bracket with the End Plate Screw

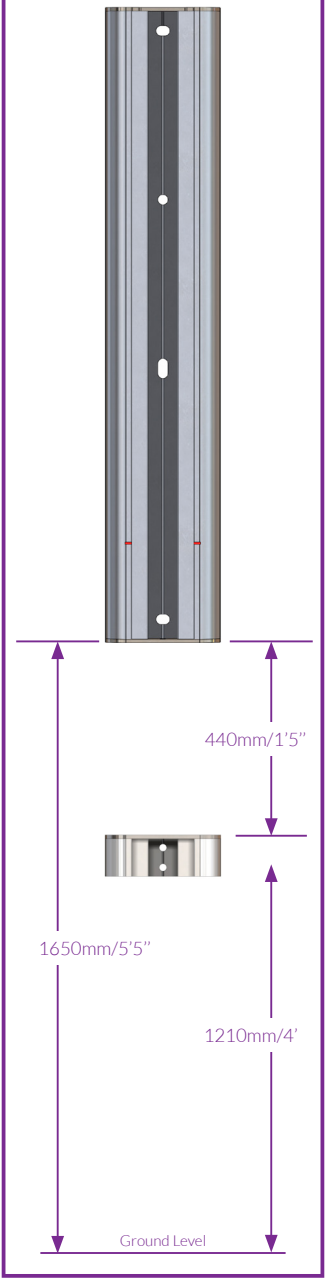


3. Mounting the Spring Cup

Slide the Spring Cup into the Top Wall Bracket and finger-tighten the screw.



Recommended Height & Spacing



Shadowspec Retreat™ Installation

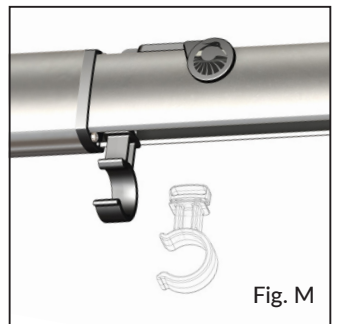
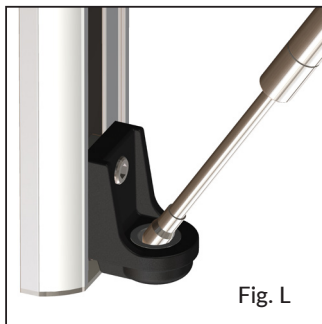
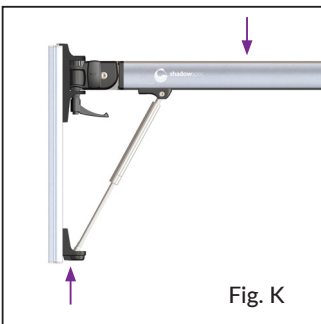
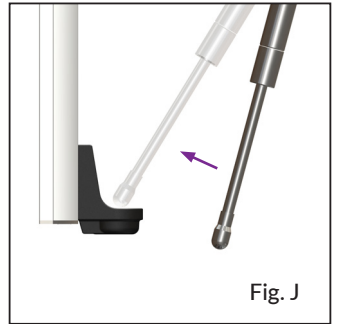
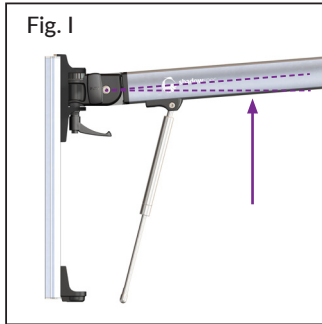
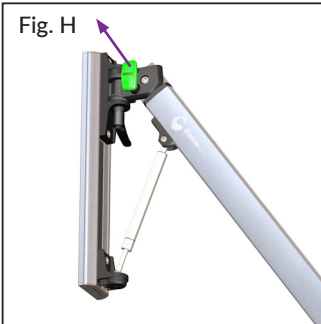
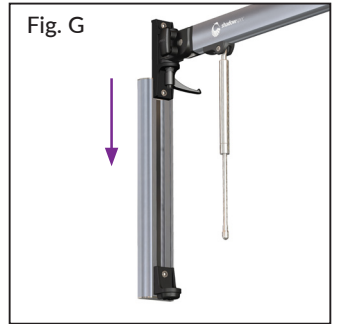
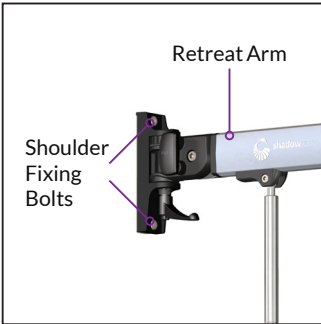
4. Mount the Arm Assembly

- i: Loosen the Shoulder Fixing Bolts so they do not restrict the Wall Grab Plate. [Fig. F.](#)
- ii: Lower the Retreat Arm into the Wall Mount Bracket until it settles in place. [Fig. G.](#)
- iii: **Fully Tighten the Shoulder Fixing Bolts.**

Important: The bolts must be very, very tight.

- iv: Pull the Shoulder Locking Pin. [Fig. H.](#)
- v: Push the Retreat Arm upward. [Fig. I.](#)
- vi: Swing the Gas Piston into the Spring Cup. [Fig. J.](#)
- vii: Lower Retreat Arm and push the Spring Cup Up to align with the marks on the Wall Mount. [Fig. K.](#)
- viii: Fully tighten the Spring Cup Bolt with supplied Hex Wrench. [Fig. L.](#)
- ix: Insert the C-Clip into the channel and twist to lock into place. [Fig. M.](#)

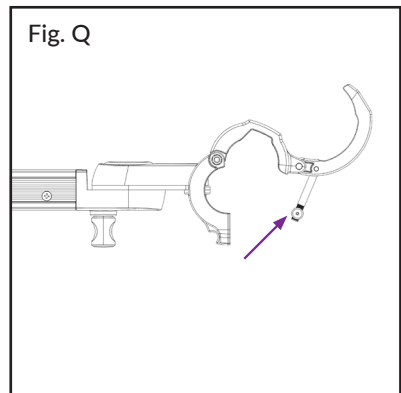
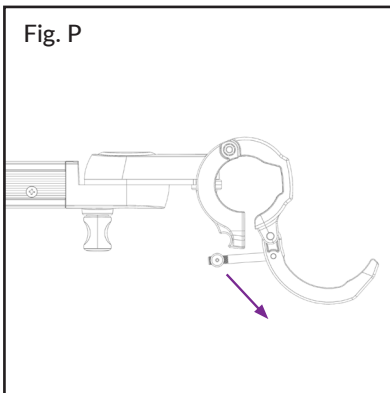
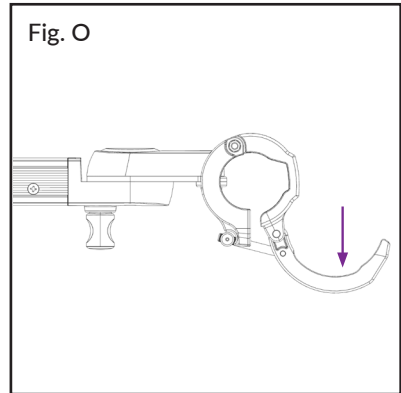
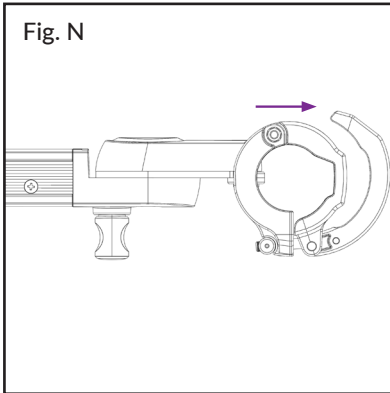
Important: The Gas Spring's pressure is now engaged - take extreme care and affix the frame straight away.



Shadowspec Retreat™ Installation

5. Fit the Canopy Frame

- i. Pull the Claw Latch Lever to open it. [Fig. N / Fig. O.](#)
- ii. The Grab Latch will detach from the Bracket [Fig. P / Fig. Q.](#)
- iii. Insert the Canopy Frame into the Claw Bracket [Fig. R.](#)
Tip: Ensure the Canopy Notch fits into the front of the Claw Assembly
- iv. Hook the Grab Latch into the Claw Notch and **reverse** the opening process to secure.
[Fig. Q > Fig. N.](#)



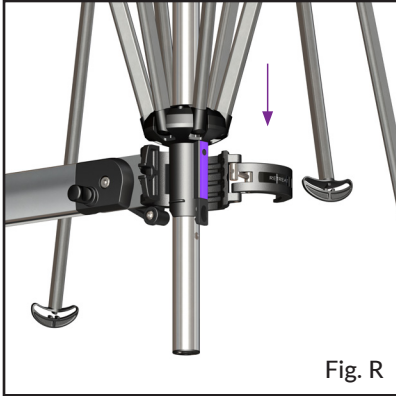


Fig. R

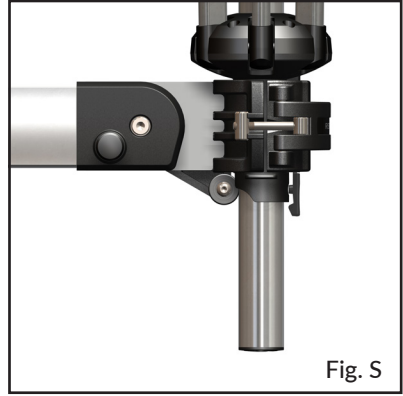
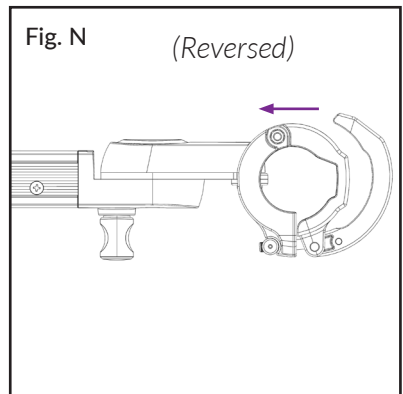
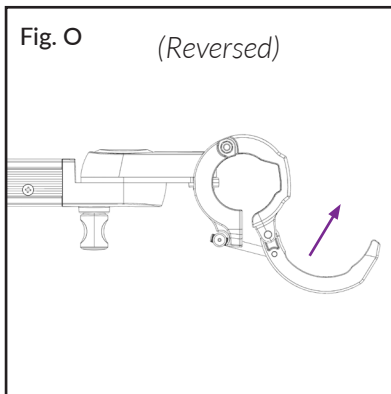
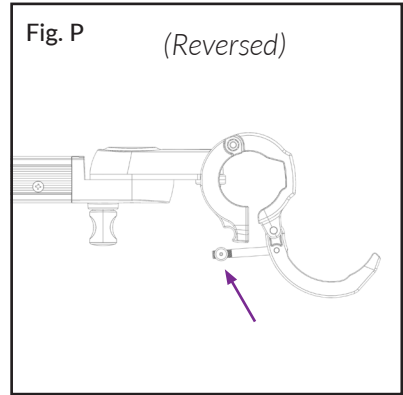
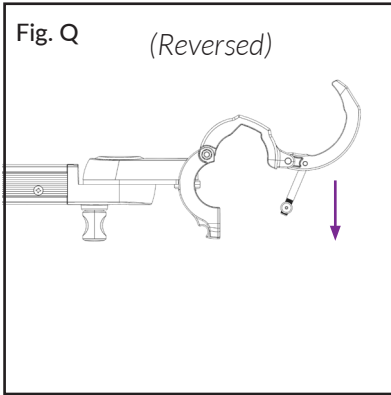


Fig. S



Shadowspec Retreat™ Canopy Fitting

6. Fit Fabric Canopy

- i. Pull the Shoulder Locking Pin. **Fig. T:**
- ii. Push downward until it locks in the angled position. **Fig. U.**
Tip: Take care as the Gas Spring will require some force to compress and the arm may swing up before it locks into place.
- iii. Remove the Crown by removing the 2 Crown Screws. **Fig. V.**
- iv. Drape the Fabric Canopy over the Canopy Frame and insert the Rib Tips into the corelating Fabric Pockets. **Fig. W.**
- v. Return the Crown and Crown Screws on top of the Canopy. **Fig. X.**
- vi. Deploy and Enjoy!

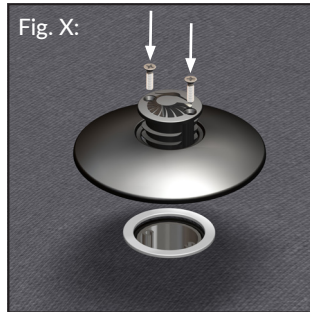
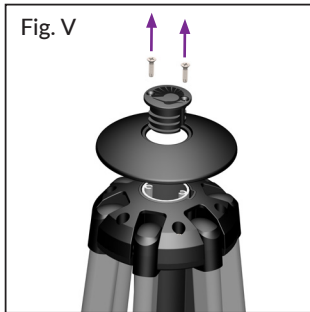
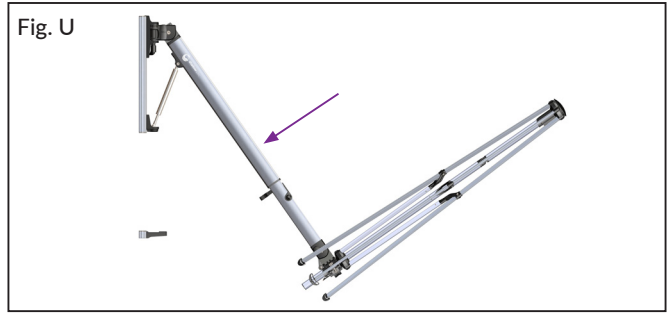
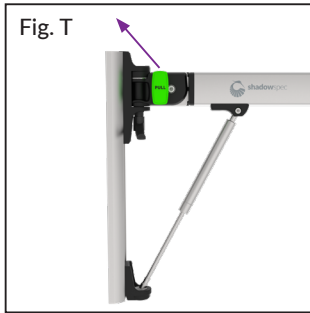
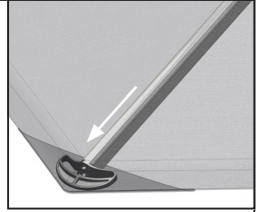
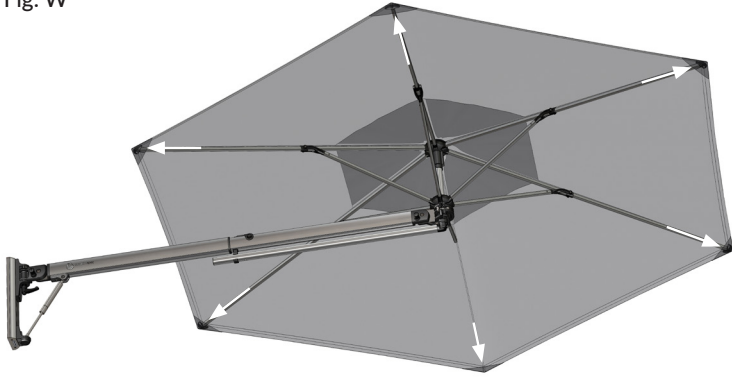




Fig. W





shadowspec

umbrellas with distinction

**Contact our in-house shade and outdoor specialists
for more information and advice.**

AUSTRALIA

Australian Nest

Laverton North, Victoria

1800 144 155

www.shadowspec.com.au

NEW ZEALAND

Heron Base

Whangarei, Northland

0800 144 155

www.shadowspec.co.nz

UNITED STATES

North American Nest

Houston, Texas

844 888 5577

www.shadowspec.com