



Shadowspec
RETREATTM
The Wall Mounted Umbrella



Inspired, Effortless Shade



Fabric
Warranty*



Frame
Warranty*



Trusted for
over 25 years



New Zealand
Innovation



Eco-friendly
Production

SHADOWSPEC RETREAT™ Wall Mounted Umbrella

Patented & Trademarked Technology



Frame
Warranty*

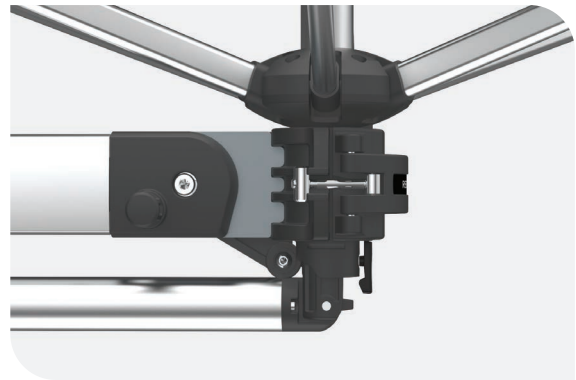
Clever shade for compact spaces.

The Shadowspec Retreat™ is built from sleek, modern materials. We've handpicked the world's best to ensure longevity. Anodised Aluminium and 316 Stainless Steel work in harmony with our in-house design philosophy.



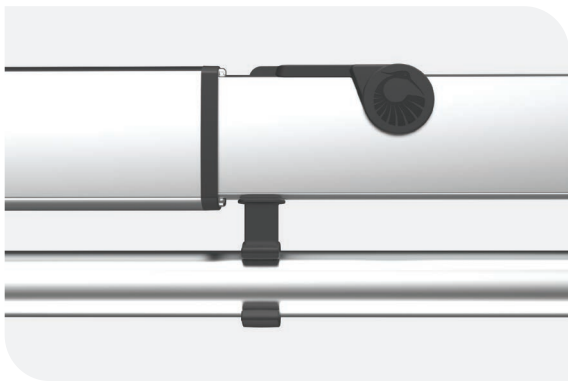
SHADOWLIFT™

Gas-assisted deployment for an easy lift.



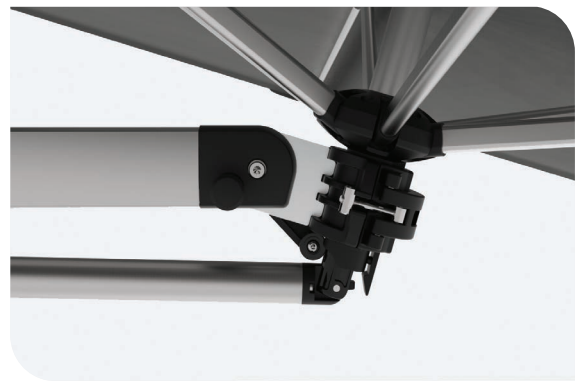
SHADOWROLL™

Integrated roller allows smooth deployment.



SHADOWREACH™

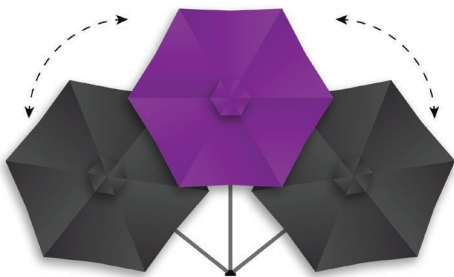
Extend for maximum shade reach.



SHADOWTILT™

Protects from low-angled sun rays.

Follow the sun



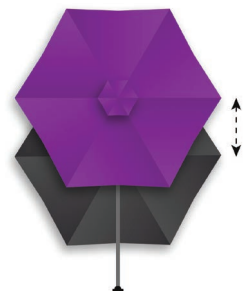
ROTATES

Allows shade for the duration of the day.



TILTS

Two tilt positions to protect when the sun is low.



EXTENDS

Away from the wall.

The Shadowspec Retreat™ is dynamic - view the video to see how it works bit.ly/retreat-intro

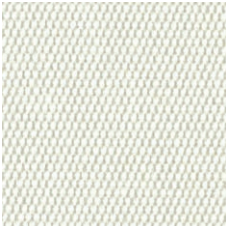
Canopy



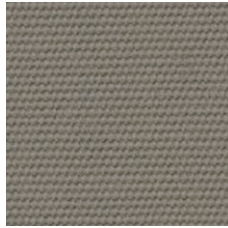
Fabric Warranty*

Designer colours to enhance and inspire your space.

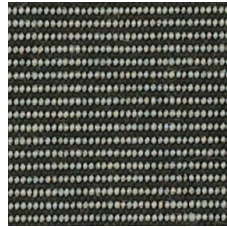
Solution-dyed, fade resistant and UPF 80 rated to provide UV protection year round, backed up by extensive warranties. Available in 5 classy colours: Oyster, Alpine Stone, Charcoal Tweed, Rust and Black & White Stripe.



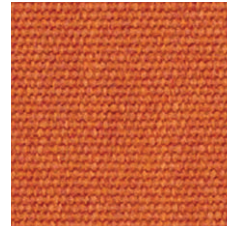
Oyster



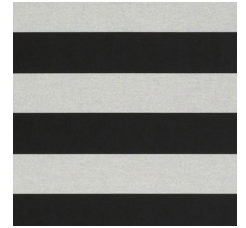
Alpine Stone



Charcoal Tweed



Rust



Black & White Stripe



Oil and Stain Repellent



Mould and Mildew Resistant



Easy Clean



Water Resistant



Chlorine Resistant



Tear Resistant



On-Trend Colours



Solution-dyed, High Colour Fastness



UV and Fade Resistant



UPF 80 UV Protection



Eco-friendly Production



Breathable Weave

Shadowspec Retreat Dimensions

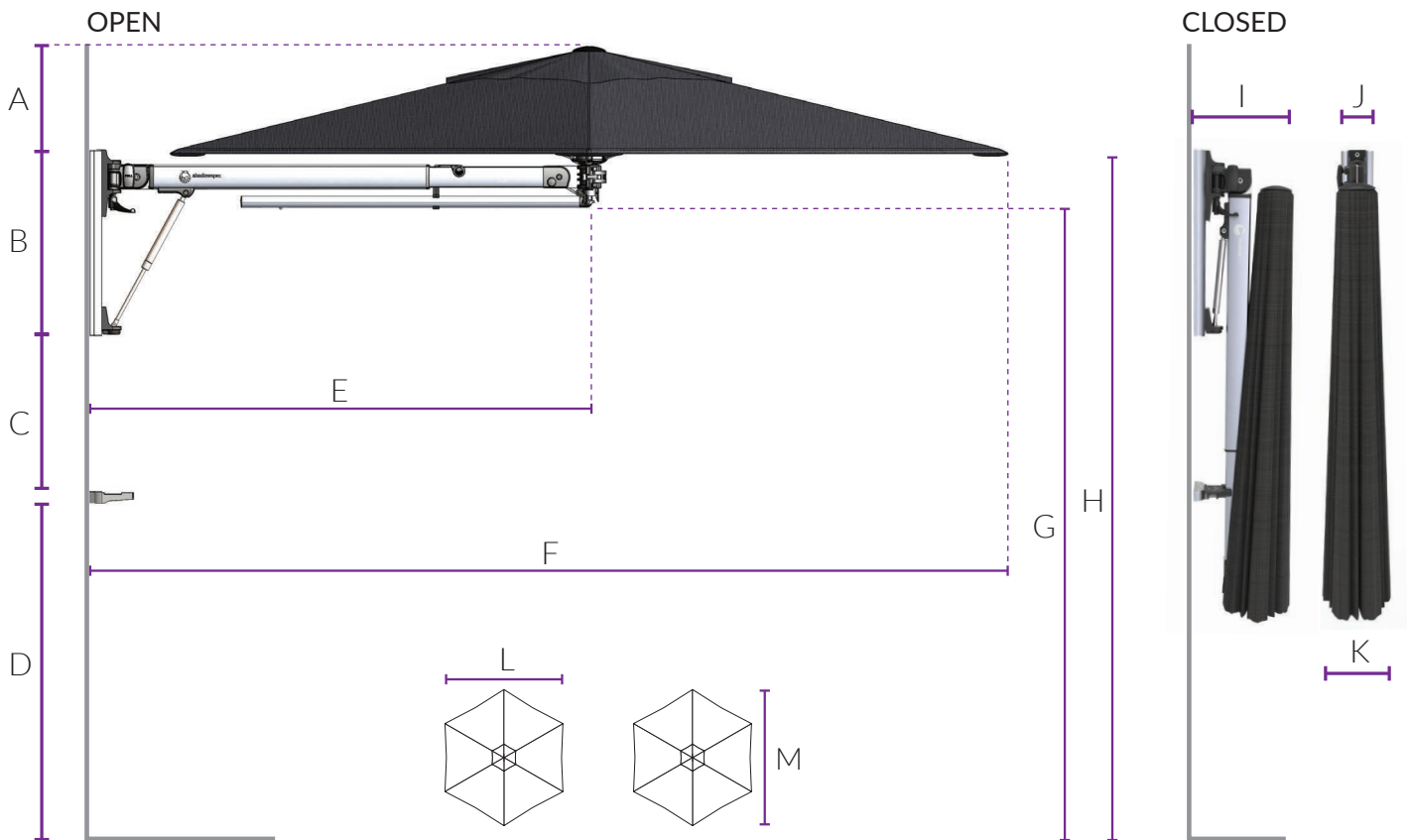


Diagram Legend

A	Canopy height when deployed
B	Wall Bracket length
C	Space from Wall Bracket to Wall Clip
D	Gap from Wall Clip to ground (recommended distance)
E	Wall to Centre Hub distance (456mm/18" Shadowreach adjustment)
F	Wall to outer Canopy Edge (456mm/18" Shadowreach adjustment)
G	Ground to Centre Hub (recommended distance)
H	Ground to Canopy Edge (recommended distance)
I	Closed Umbrella depth
J	Wall Bracket width
K	Closed Umbrella width
L	Canopy flat-to-flat measurement
M	Canopy point-to-point measurement

2.7m	Full Extension	9'	Full Extension
295mm		1'	
526mm		1'9"	
441mm		1'4"	
1209mm		4'	
1419mm	1875mm	4'8"	6'2"
2609mm	3065mm	8'7"	10'0"
2014mm		6'7"	
2166mm		7'1"	
300mm		1'	
95mm		4"	
130-150mm		5-6"	
2300mm		7'7"	
2700mm		8'10"	

Note: Fastenings are not supplied for the Wall Mount Bracket.

All sizings and conversions are +/- 2.5mm / 1/16" and are subject to change without notice. We recommend commercial installations use metric measurement for any umbrella spacing to ensure accuracy. The above dimensions make the assumption that you have installed your umbrella at the recommended installation height on your wall. If you have installed your Retreat lower or higher than recommended, you will need to add that difference to the above measurements.

**Contact our shade specialists
for information and advice.**

Australia
1800 144 155
www.shadowspec.com.au

New Zealand
0800 144 155
www.shadowspec.co.nz



shadowspec
umbrellas with distinction